

Introduction: R580RR, R5880RR

This series of grilles feature an integrated round duct reducer designed to fit cleanly inside the end of spiral or round duct runs, which makes it a great choice for exposed duct applications.

MODELS

R580RR - Aluminum, Round Single Deflection, Round Duct Reducer

R5880RR - Aluminum, Round Double Deflection, Round Duct Reducer

FEATURES

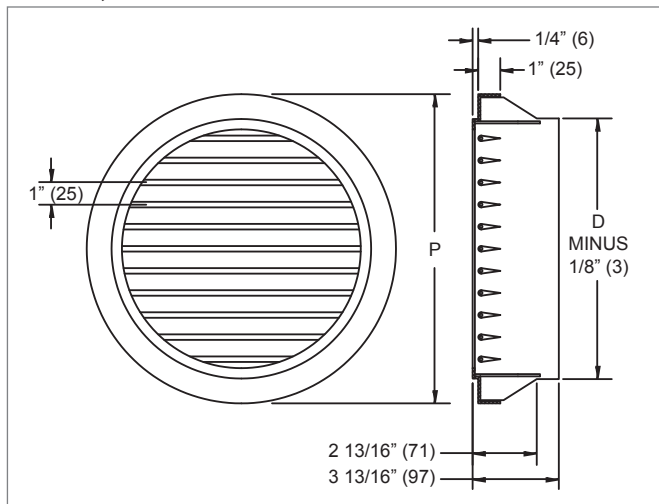
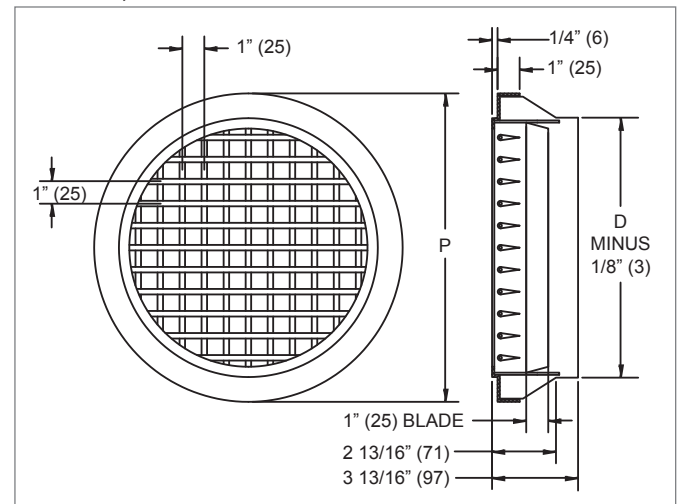
- Aluminum construction.
- Round single (R580RR) or double (R5880RR) deflection airfoil blade grille with 1" blade spacing.
- Easy finger tip adjustment.
- For use in exposed duct mount applications.
- Frame slides cleanly into end of exposed duct.

FINISHES

- Standard finish is #70 Silver Metallic.
- Optional finishes available.



R5880RR (Face & Side View)

R580RR, R5880RR Dimensional Information
R580RR, FACE AND SIDE VIEWS

R5880RR, FACE AND SIDE VIEWS

R580RR, DIMENSIONAL DETAILS

Nominal Size	Duct D	P
6	6" (152)	8 1/4" (210)
8	8" (203)	10 1/4" (260)
10	10" (254)	12 1/4" (311)
12	12" (305)	14 1/4" (362)
14	14" (356)	16 1/4" (413)
16	16" (406)	18 1/4" (464)
18	18" (457)	20 1/4" (514)
20	20" (508)	22 1/4" (565)
22	22" (559)	24 1/4" (616)
24	24" (610)	26 1/4" (667)

R5880RR, DIMENSIONAL DETAILS

Nominal Size	Duct D	P
6	6" (152)	8 1/4" (210)
8	8" (203)	10 1/4" (260)
10	10" (254)	12 1/4" (311)
12	12" (305)	14 1/4" (362)
14	14" (356)	16 1/4" (413)
16	16" (406)	18 1/4" (464)
18	18" (457)	20 1/4" (514)
20	20" (508)	22 1/4" (565)
22	22" (559)	24 1/4" (616)
24	24" (610)	26 1/4" (667)

NOTE: Dimensions in parentheses are mm.